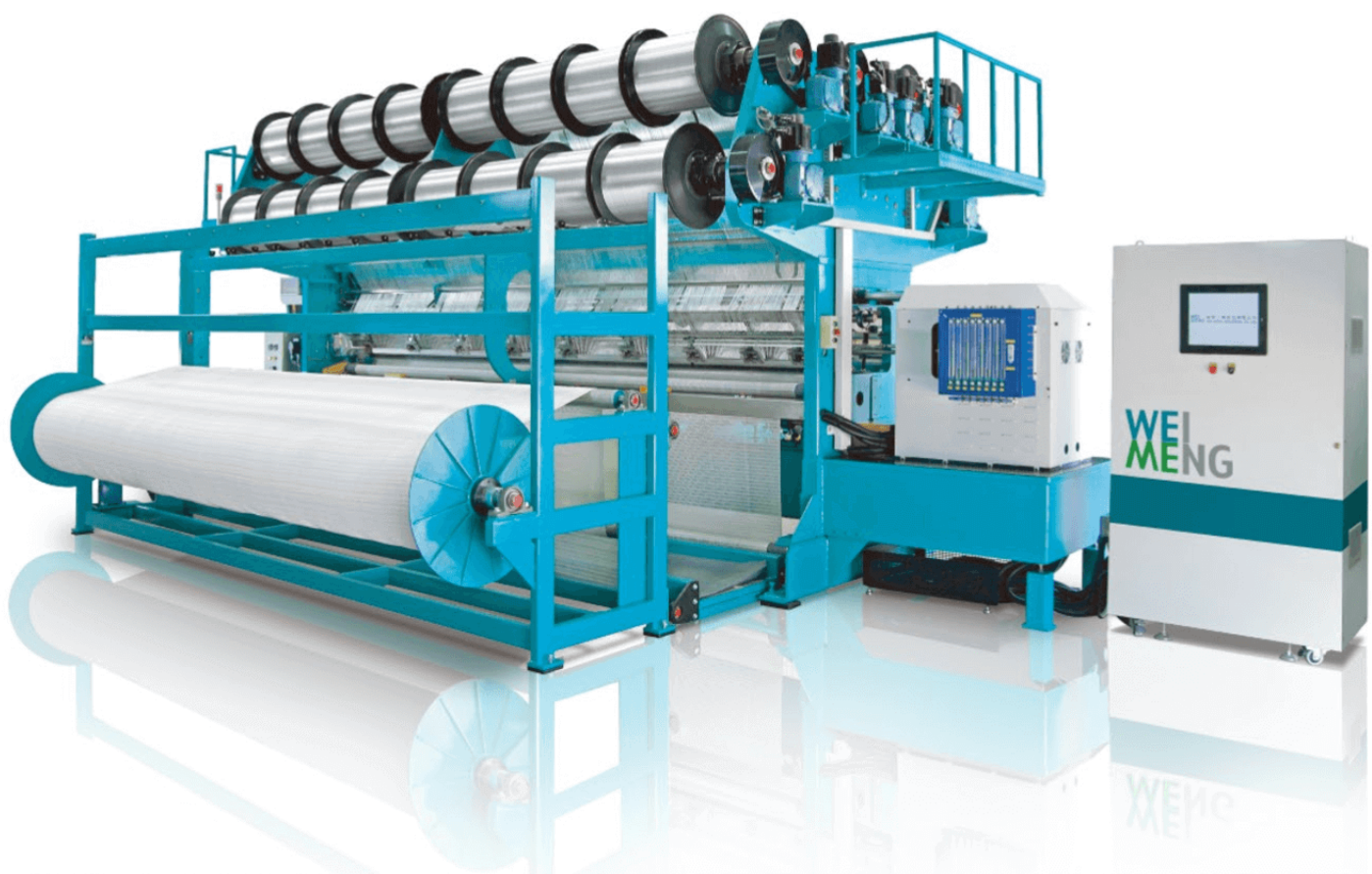
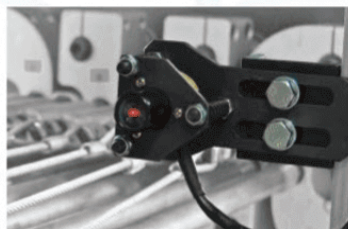


■ WMF-172GPE



Electronic Density Take-up Device



Laser Detection System



6 Units Electronic Auto Feeding Device



8 Bars Electronic Pattern Drive System

WMF-172GPE

WEI MENG

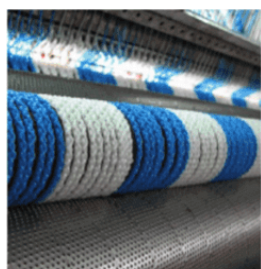
Knotless Fish Net Machine

Features

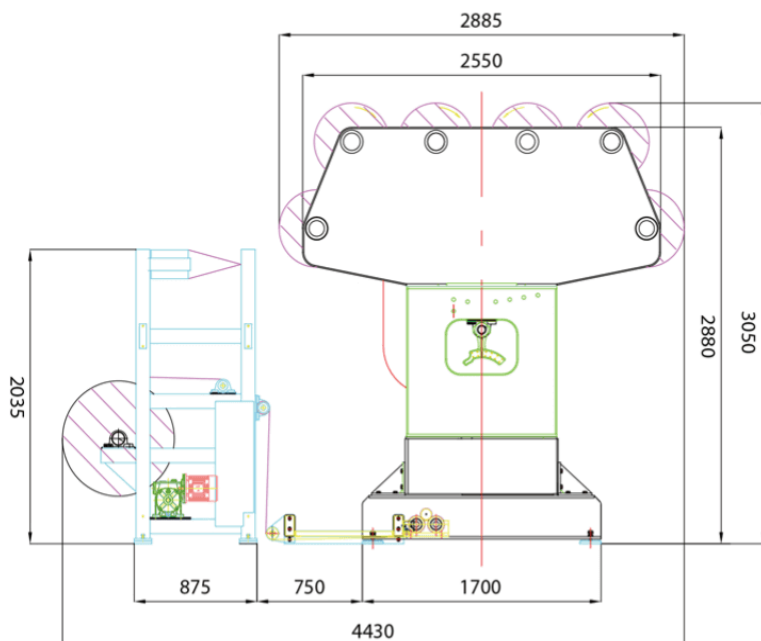
- 全台灣第一台八軸電子花板驅動裝置
(8 Bars Electronic Pattern Drive System)
- 全台灣第一台六軸電子自動送紗裝置
(6 units Electronic Auto Feeding Device)
- 電子密度捲取裝置
(Electronic Density Take-up Device)
- 鐳射電眼斷紗偵測裝置
(Laser Detection System)



Safety Net

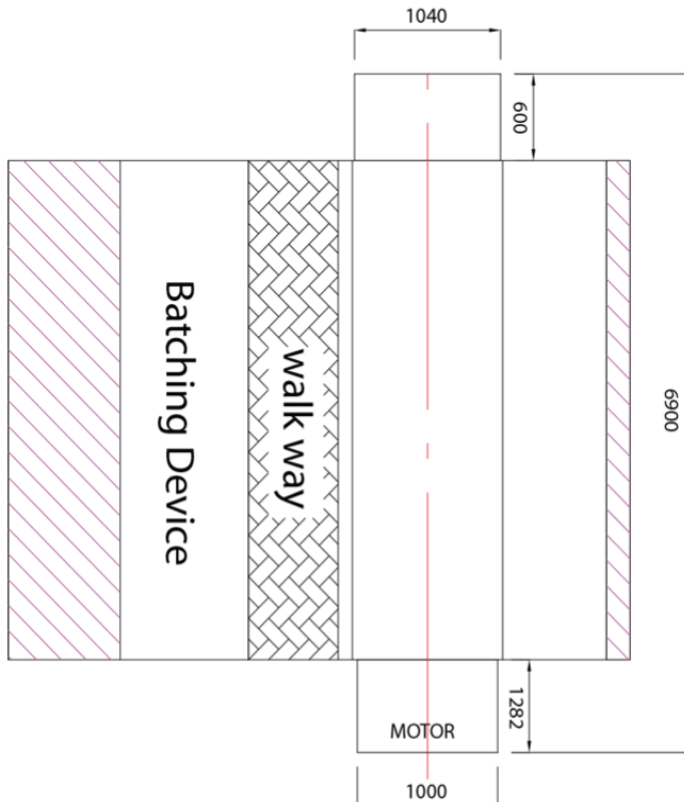


Fish Net



Specifications

| | |
|-----------------------------|---------------------|
| 型號 (Model) | WMF-172GPE |
| 機器寬幅 (Working Width) | 172吋 (inch) |
| 主馬力 (Main Motor) | 7.5KW x 380V |
| 每吋針數 (Machine Gauges) | 6針 (needles / inch) |
| 底網導紗針片數 (Ground Guide Bars) | 6片 (bars) |
| 布邊導紗真片數 (Selvage Guide Bar) | 2片 (bars) |
| 盤頭軸 (Beam Shaft) | 6支 (pcs) |
| 盤頭規格 (Beam Dimension) | 21 x 21" dia. |
| 紗線規格 (Applicable Yarn) | 尼龍紗 (Nylon) |
| 漁網總網目數 (Total Mesh) | 516 目 (Mesh) |



www.weimeng.com.tw

WEI MENG INDUSTRIAL CO., LT

No. 17-3, Neighborhood 2, Chilan Vil., Xinwu Dist., Taoyuan City 32743, Taiwan
T. 886-3-497-2288 F. 886-3-497-2266
E. weimeng@ms14.hinet.net



uCloud