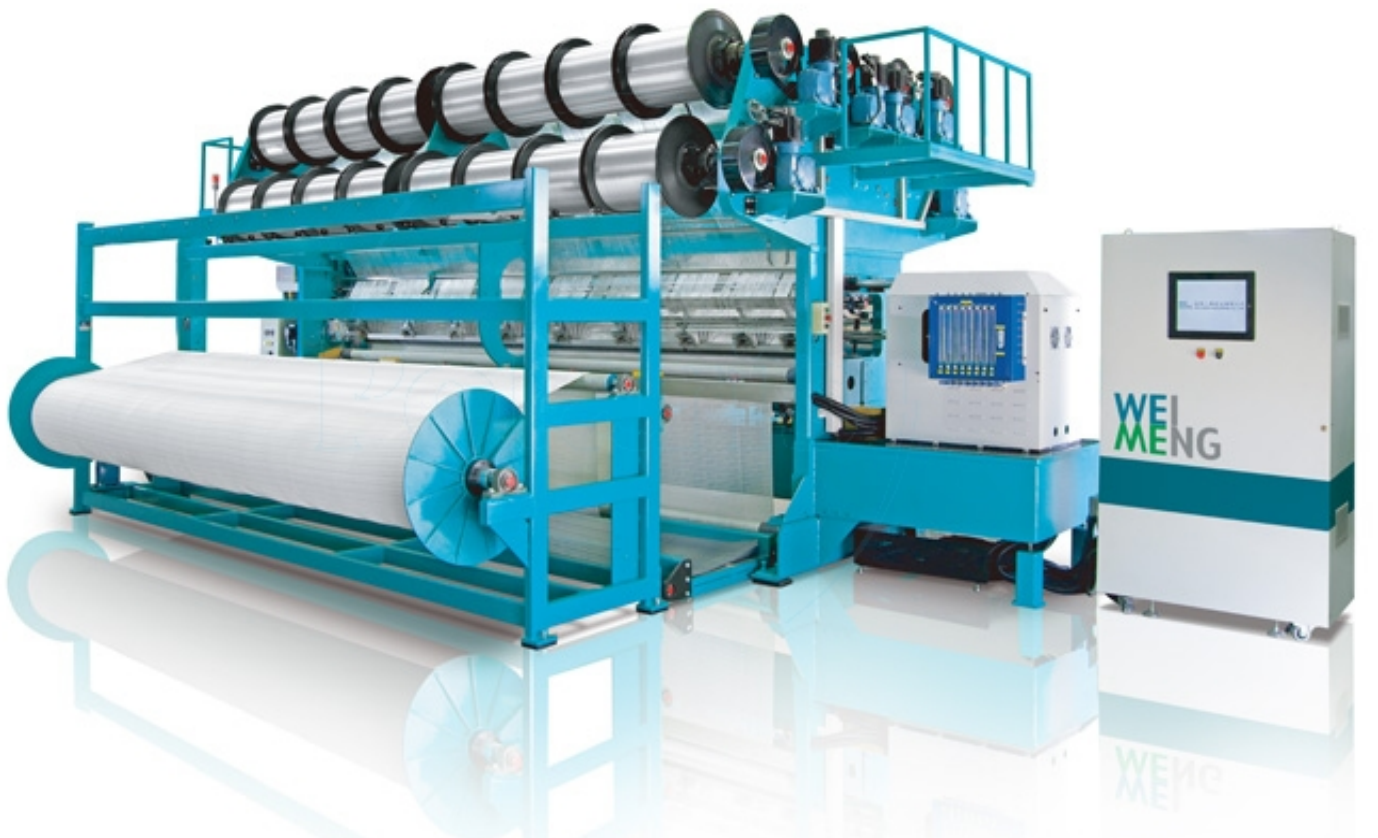


## ■ WMF-172GPE



Electronic Density Take-up Device



Laser Detection System



6 Units Electronic Auto Feeding Device



8 Bars Electronic Pattern Drive System

# WMF-172GPE

WEI  
MENG

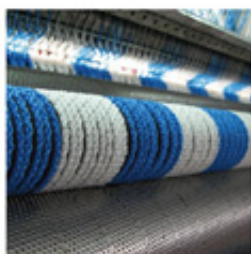
## Knotless Fish Net Machine

### Features

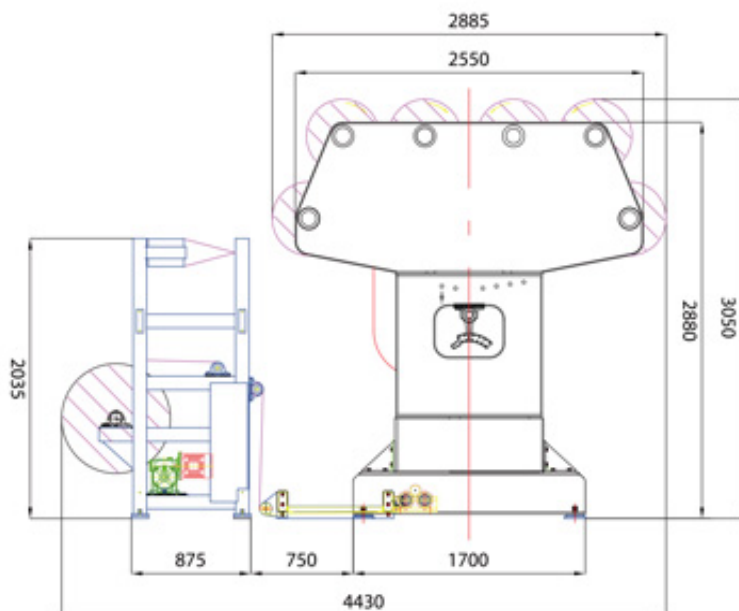
- 全台灣第一台八軸電子花板驅動裝置  
(8 Bars Electronic Pattern Drive System)
- 全台灣第一台六軸電子自動送紗裝置  
(6 units Electronic Auto Feeding Device)
- 電子密度捲取裝置  
(Electronic Density Take-up Device)
- 鐳射電眼斷紗偵測裝置  
(Laser Detection System)



Safety Net

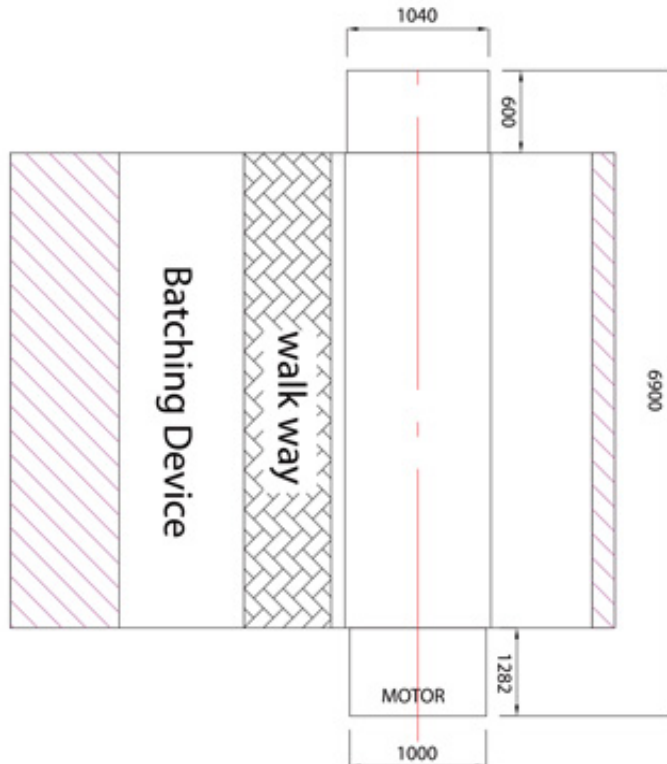


Fish Net



### Specifications

型號 (Model)	WMF-172GPE
機器寬幅 (Working Width)	172吋 (inch)
主馬力 (Main Motor)	7.5KW x 380V
每吋針數 (Machine Gauges)	6針 (needles / inch)
底網導紗針片數 (Ground Guide Bars)	6片 (bars)
布邊導紗針片數 (Selvage Guide Bar)	2片 (bars)
盤頭軸 (Beam Shaft)	6支 (pcs)
盤頭規格 (Beam Dimension)	21 x 21" dia.
紗線規格 (Applicable Yarn)	尼龍紗 (Nylon)
漁網總網目數 (Total Mesh)	516目 (Mesh)



[www.weimeng.com.tw](http://www.weimeng.com.tw)

### WEI MENG INDUSTRIAL CO., LT

No. 17-3, Neighborhood 2, Chilan Vil., Xinwu Dist., Taoyuan City 32743, Taiwan  
T. 886-3-497-2288 F. 886-3-497-2266  
E. [weimeng@ms14.hinet.net](mailto:weimeng@ms14.hinet.net)



uCloud