



Energy Saving / Environmentally Friendly / High-Tech / Robust Design

**5-LAYER HIGH PERFORMANCE
BLOWN FILM EXTRUSION LINE**  **RH-TT series**

5-LAYER HIGH PERFORMANCE BLOWN FILM EXTRUSION LINE

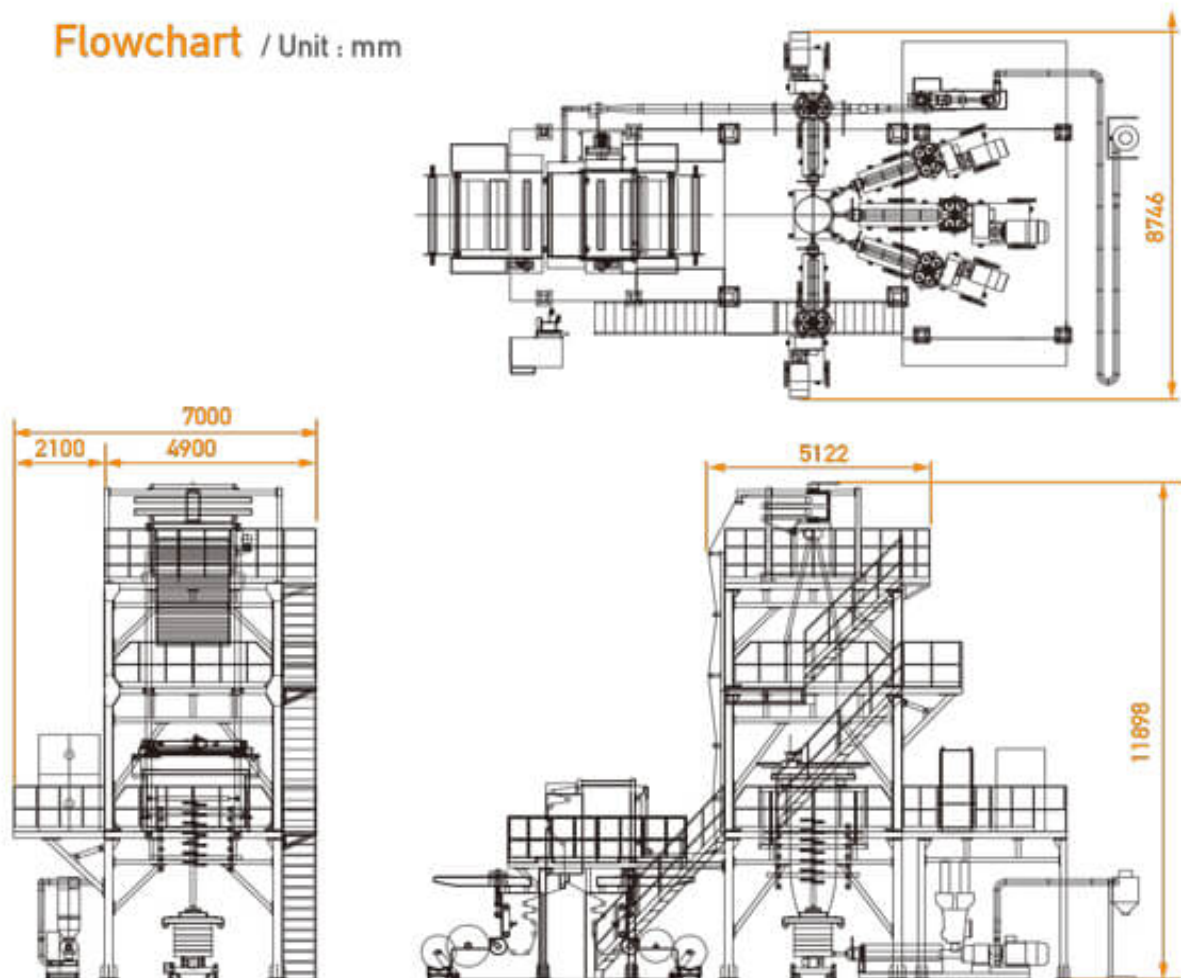
Features

- RH series is supplied with high performance AC main motor & inverter, which is designed for energy saving as well as minimum maintenance.
- Minimum power consumption and labor cost.
- Improved die & air ring design ensures higher film quality and easier production control.
- Top oscillating haul-off and back to back double winder
- Equipped with PID temperature controller and user friendly HMI control system.

Ancillaries

- Gravimetric dosing system
- Thickness gauge control
- Auto air ring based thickness control
- Internal bubble cooling system
- Surface & center control winder
- Chiller
- Chilling box
- Trimmed waste winder
- Mini recycling machine

Flowchart / Unit : mm

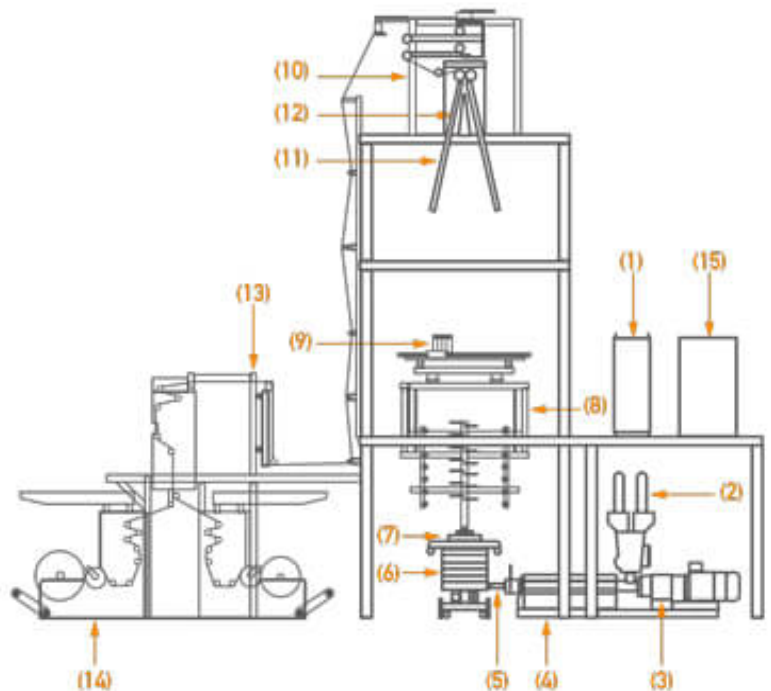


Applications

- Laminated film, agricultural film, industrial packing film, cling film, die head for barrier film and more.

NO	DESCRIPTION
1	Main control cabinet
2	Gravimetric dosing system
3	Gear box
4	Extrusion unit
5	Manual screen filter unit
6	Die head and die cart
7	Auto air ring
8	Bubble cage

NO	DESCRIPTION
9	Thickness measurement system
10	Oscillating haul-off
11	Collapser
12	Gusseting unit
13	CPC edge control
14	Auto winder BHF-1650
15	Air chiller



Specifications

MODEL	RH-55/55/75/55/55 TT
Applicable materials	LDPE / LLDPE / MDPE / HDPE / PP / MLLDPE / Recycled materials
Max. film width (mm)	1600
Thickness of film (mm)	0.02~0.2
Max. extrusion output (kg/hr.)	600
Machine height (M)	12

*Final specifications of machine depend on the film application, material to be used, accepted thickness tolerance and your special requirements.



LUNG MENG MACHINERY CO., LTD.

Headquarters

No. 20, Huan Kung Rd.,
Yung Kang Ind. Area,
Tainan City 710, Taiwan
Tel : +886-6-232-1126
Fax : +886-6-203-1178
Email : sales@lm-hq.com

Taipei Office

7F., No.12-19, Sec. 2,
Zhongyang S. Rd., Beitou Dist.,
Taipei City 112, Taiwan
Tel : +886-2-2897-6599
Fax : +886-2-2897-9618

www.lungmeng.com.tw



GATOR series 2022-06-08